



PATA NANDrive™

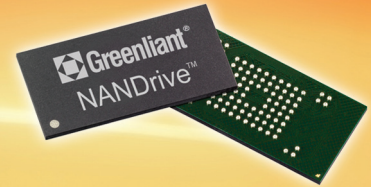
85LP Series

Product Brief

Product Description

The award-winning PATA NANDrive™ family of embedded solid state drives (SSDs) integrate Greenliant's advanced ATA controller with one or more NAND flash die in a multi-chip package. With its small form factor and widely adopted industry-standard ATA/IDE interface, PATA NANDrive has revolutionized how embedded system designers utilize NAND flash devices. Its built-in microcontroller and flash file management firmware replace the need for host-side Flash File System (FFS) and Memory Technology Driver (MTD) software.

PATA NANDrive provides complete IDE hard disk drive (HDD) functionality and compatibility in a ball grid array (BGA) package for easy, space-saving and cost-effective mounting to a system motherboard. It can also be seamlessly integrated in systems that don't have an ATA interface by connecting the device to a standard memory bus. PATA NANDrive is an ideal replacement for high-density parallel NOR flash and CompactFlash cards in embedded designs that require smaller, higher security and more reliable storage.



www.NANDrive.com

Key Features

One of the Industry's Smallest SSDs

- 12mm x 24mm 91-ball LPGA package
- 14mm x 24mm 91-ball BGA package

Industry Standard ATA/IDE Interface

- Host Interface: 8- or 16-bit access
- Supports up to PIO Mode-6
- Supports up to Multi-Word DMA Mode-4
- Supports up to Ultra DMA Mode-6

Energy Efficient

- Reduces power consumption by putting unused circuitry into sleep mode without host intervention

Multitasking Technology Increases Performance

- Sustained Read Performance up to 50 MB/sec
- Sustained Write Performance up to 35 MB/sec

Robust Pre-programmed Firmware

- Advanced wear leveling maximizes product lifespan
- Configurable algorithms support global and group wear leveling
- Embedded flash file system for seamless capacity upgrade with no change to host software

Power Interrupt Data Protection

- Prevents data corruption when power is lost or unstable

Bad Block Management

- Replaces bad blocks with spare blocks in the NAND flash to prevent uncorrectable errors

Built-in ECC

- Uses advanced hardware engine to correct bit errors

Expanded Data Protection

- WP#/PD# pin configurable by firmware for prevention of data overwrites
- Added data security through user-selectable protection zones and security erase/purge commands

SSD Lifespan Monitoring

- Enables SMART command-based alerts indicating the remaining useful product life
- Estimates optimal SSD capacity based upon specific application usage models

Multiple Capacities with Same Pin-out

- 1 GB, 2 GB, 4 GB, 8 GB
- 1mm ball spacing enables use of lower cost PCBs

Industrial Temperature

- Industrial operation: -40°C to +85°C



Applications

- Set-top box / Net-top box
- GPS and telematics
- In-vehicle infotainment
- Video conferencing
- Tablet PC / Smartbook / Netbook
- Multi-function printer
- Point of Sale terminal
- VoIP system / PBX
- Wireless base station
- Router / Gateway / Switch
- Server / Network-attached storage
- Industrial PC / Single-board computer
- Ultrasound and medical imaging
- Industrial automation & control
- Test & measurement instrumentation
- Video surveillance / ID terminal

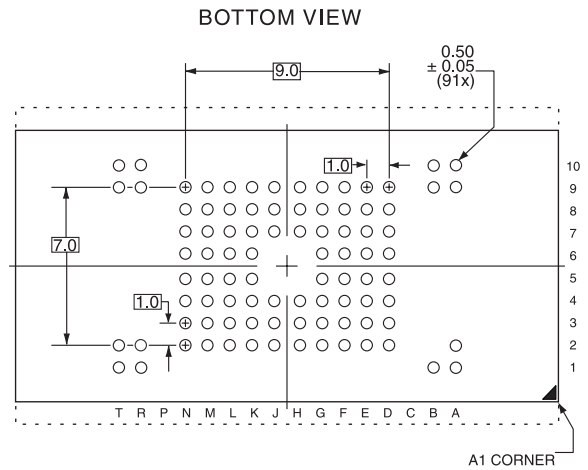
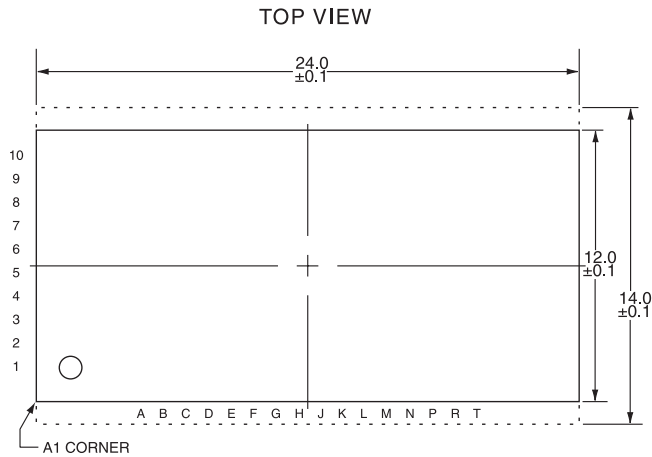
Greenliant

3970 Freedom Circle, Suite 100
Santa Clara, CA 95054 USA
Tel. 1-408-200-8000
Fax 1-408-200-8099

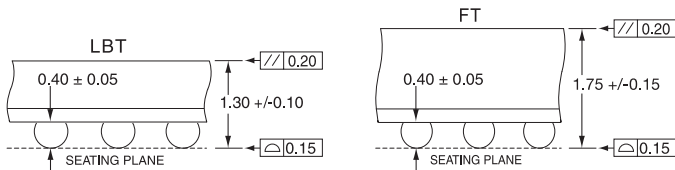
www.Greenliant.com

PATA NANDrive Package Diagrams

91-ball BGA package
 LBT is 12mm x 24mm
 FT is 14mm x 24mm
 Pb-free (RoHS compliant)



DETAIL VIEW

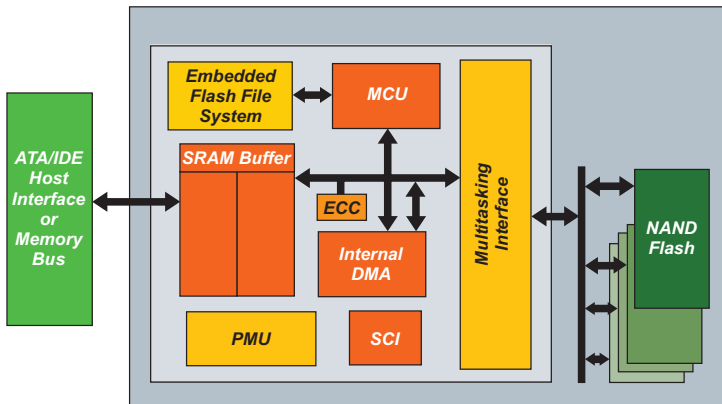


SIDE VIEW



Note: 1. All linear dimensions are in millimeters.
 2. Untoleranced dimensions are nominal target values.
 3. Coplanarity: 0.15 mm.
 4. Ball opening size is 0.40 mm (± 0.05 mm).

PATA NANDrive Block Diagram



Product Lineup

85 Series PATA NANDrive			
Capacity	NAND Configuration / Endurance	Temperature Range	Package
1 GB	1-bit-per-cell SLC NAND / 60K P/E cycles	Industrial -40°C to +85°C	12 x 24 x 1.4mm LBGAs
2 GB			14 x 24 x 1.9mm BGA
4 GB			
8 GB			

twitter.com/Greenliant
[linkedin.com/company/Greenliant](https://www.linkedin.com/company/Greenliant)
[facebook.com/Greenliant](https://www.facebook.com/Greenliant)

NANDrive FAQs: www.greenliant.com/nandrive-faqs
Long-Term Availability: www.greenliant.com/support/#LTA-program
 For more information, contact your Greenliant representative: www.greenliant.com/sales



© 2023 Greenliant
 Greenliant, the Greenliant logo, and NANDrive are trademarks of Greenliant.
 These specifications are subject to change without notice. 10/2023